

Vixen Polarie using
ML4022/Schneider Kreuznach
Cinegon 10mm f/1.9

Richard Crisp

August 23, 2014

rdcrisp@earthlink.net

www.narrowbandimaging.com

In Japan

- Back in late 2012 I visited the Takahashi store in Tokyo while there on business. I saw on display an interesting little “star tracker” called the Vixen Polarie.



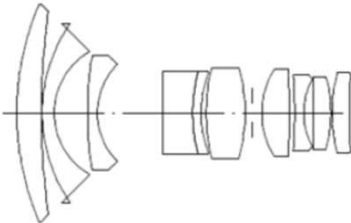
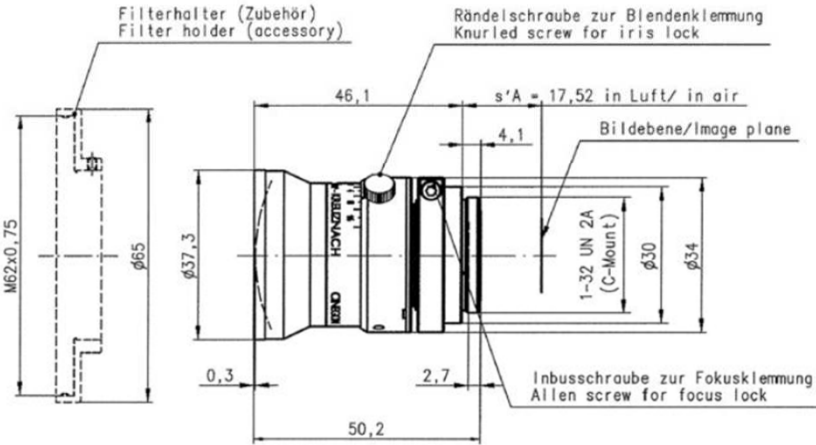
System



I purchased one at that time and then finally in 2014 I am using it for the first time

Cinegon 1.9/10

Lens



CINEGON 1.9/10MM

f'	=	10.4 mm	β_p'	=	2.823
s_F	=	13.9 mm	s_{EP}	=	17.5 mm
$s_{F'}$	=	16.1 mm	s_{AP}	=	-13.1 mm
HH'	=	28.7 mm	Σd	=	47.2 mm

Filter Holder used
With 62mm full-aperture RGB filters



First Light Results (12.33 hours)



First Light Results (12.33 hours)

